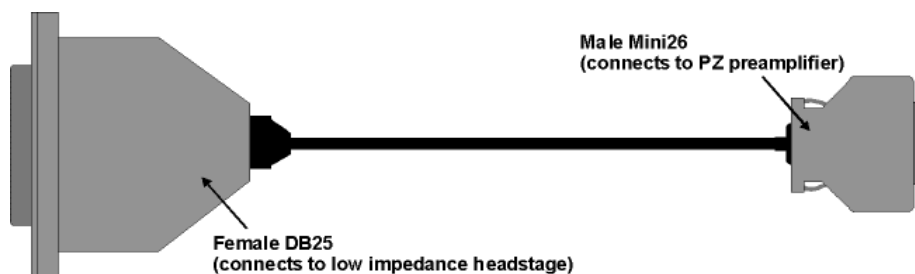


Preamplifier Adapters

Each TDT headstage is designed for use with either a Legacy or Z-Series preamplifier. Preamplifier adapters allow TDT headstages to be used with a variety of preamplifiers by converting the type of preamplifier connector.

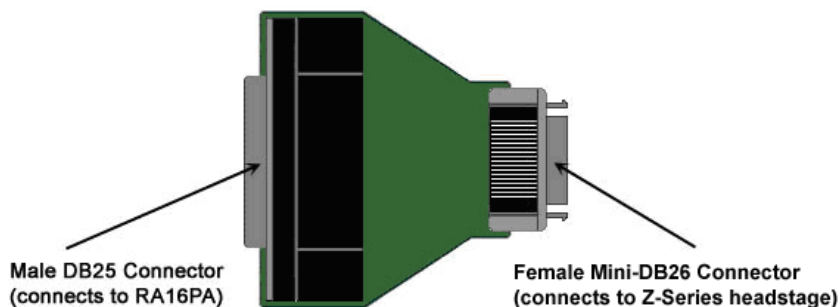
DBF-MiniDBM Low Impedance Headstage to PZ Preamplifier (16-channels)

This adapter connects a low impedance headstage (RA4LI or RA16LI) to a PZ preamplifier.



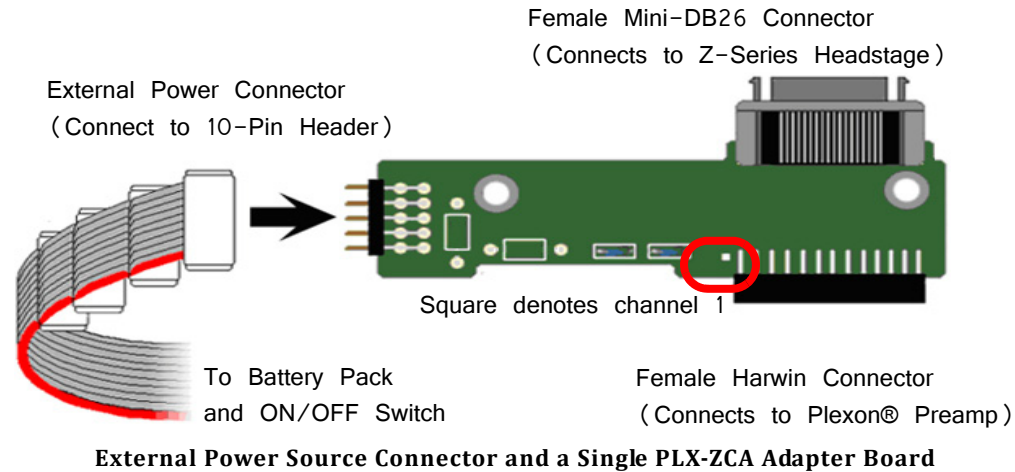
MiniDBF-DBM Z-Series Headstage Female Mini-DB26 to Male DB25 Cable Adapter

This adapter converts a Z-Series headstage Mini-D connector to a DB25 connector for use with a Medusa RA16PA preamplifier.



PLX-ZCA Z-Series Headstage to Plexon® Preamplifier

This adapter connects a Z-Series headstage to a Plexon® preamplifier. Each PLX-ZCA adapter board connects 16-channels. Multiple adapter boards can be stacked for a higher channel count and are fastened together using two screws on either side of the adapter board. An external power source is provided to power the headstage.



External Power Source

In order to power TDT headstages when using this adapter, an external power source is required. Each external power source includes four connectors and can power up to four PLX-ZCA adapter boards. The external power source uses two 1.5 V D batteries and is enabled through a simple ON/OFF switch.

To power the PLX-ZCA adapter:

1. Align the red colored stripe to the Harwin connector side of the adapter (as shown in the diagram above).
2. Connect an external power connector to the 10-pin header located on the adapter.
3. Ensure that the batteries are correctly inserted in the battery pack then move the switch to the ON position.

Note: To power multiple PLX-ZCA adapters, simply connect each 10-pin header to one of the available external power connectors.

Plexon Header Pinout



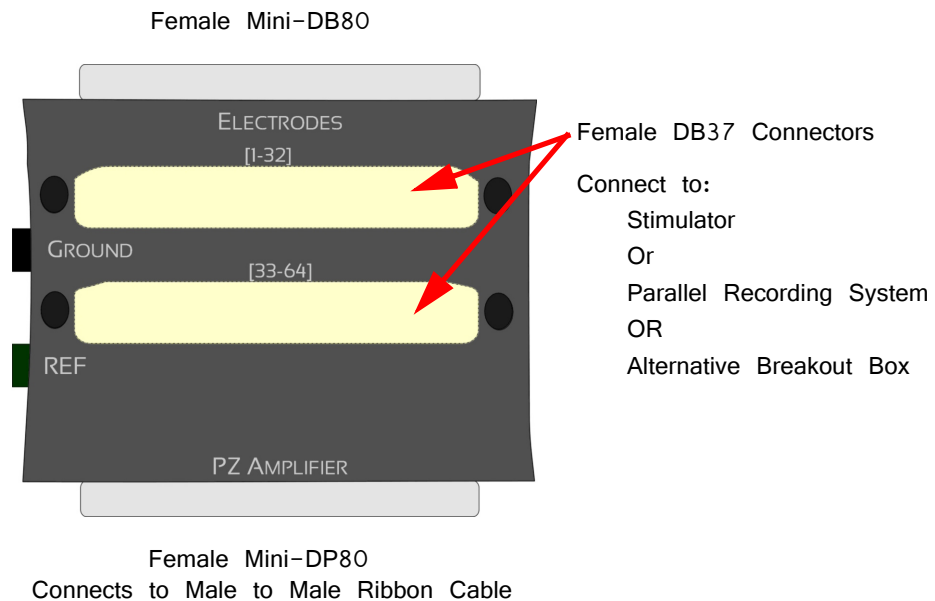
Harwin Connector (For external power connector)
 NA = Not Used, G = AGND, R = Reference

Pinouts are looking into the connector and reflect the preamplifier channels.

SB64 64-Channel Stimulator Buffer

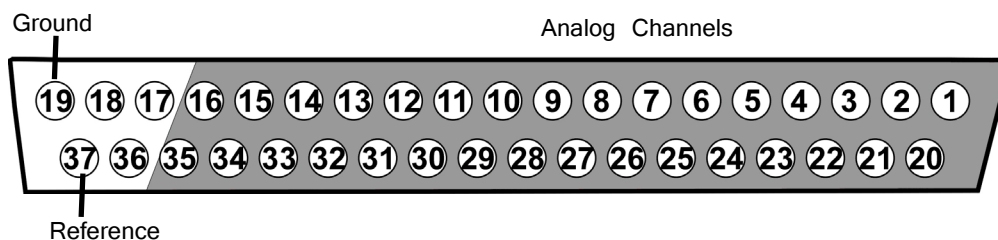
This adapter provides multiple ways of connecting up to 64-channels. Two mini-DB80 connectors, one for direct connection to a PZ5M NeuroDigitizer/Amplifier and one for connection to up to 64 electrode channels. Two DB37 connectors provide an additional passive input or output connection. Each DB37 is tied to the corresponding 32 electrode channels and is buffered from the active electronics associated with the PZ amplifier connection. They can be used to connect stimulation to the corresponding electrodes, pass electrode signals to a parallel recording system, or serve as an alternative input connection from a breakout box (such as a a Xltek EMU128FS).

The SB64 uses standard 1.5 mm safety connectors for Ground and Reference (REF) connections. Front panel numbering of the DB37 connectors corresponds to TDT amplifier channels. Use caution to avoid miswiring.



Pinout Diagrams

(1-32) DB37 Connector



Pin	Name	Description	Pin	Name	Description
1	A1	Analog input channels 1,3,5,7,9,11,13,15,17,19,21,23,25,27,29,31	20	A2	Analog input channels 2,4,6,8,10,12,14,16,18,20,22,24,26,28,30,32
2	A3		21	A4	
3	A5		22	A6	
4	A7		23	A8	
5	A9		24	A10	
6	A11		25	A12	
7	A13		26	A14	
8	A15		27	A16	
9	A17		28	A18	
10	A19		29	A20	
11	A21		30	A22	
12	A23		31	A24	
13	A25		32	A26	
14	A27		33	A28	
15	A29		34	A30	
16	A31		35	A32	
17	NA	Not Used	36	NA	Not Used
18	NA		37	REF	Reference
19	GND	Ground			

Note: No connections should be made to pins 17, 18, and 36.

(33-64) DB37 Connector

Increment above channel numbers by 32.

Electrodes Mini-DB80

The pinout for this connector duplicates the map of the PZ5M Input Connectors and is dependent on the NeuroDigitizer reference mode. See the PZ5M "Input Connectors" on page 6-83.