

fast facts

CONFIGURING THE MF1 FOR CLOSED FIELD OPERATION

1. Front of Speaker



Holes for Hex Screws

Back of CF Adapter

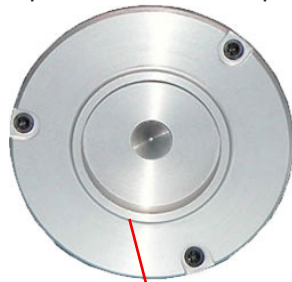


Black O-ring

Ensure Black O-ring is in place on back of CF Adapter, as shown.

Attach the CF Adapter to the front of the speaker using three of the provided 1/4 x 4-40 hex screws.

2. Speaker with CF Adapter



Groove for Tip

3mm Ear Tip

3mm Tube Tip



Blue O-rings

Ensure the blue O-ring is in place at the base of the desired tip, as shown.

Insert one of the tips into the groove on the CF adapter. Ensure the tip is bottomed in its socket.

If using the Tube Tip, gently insert the tube into the narrow end of the tip.

3.

CF Line Filter



For Closed Field Configuration Only

Attach the CF filter to the provided RCA cable.

4.



Back of Speaker
(shown with included stand)

Amplifier Line In

Attach a BNC to RCA adapter to the BNC amplifier port of your source device.

Connect the MF1 to the amplifier using the RCA cable (with CF filter attached).

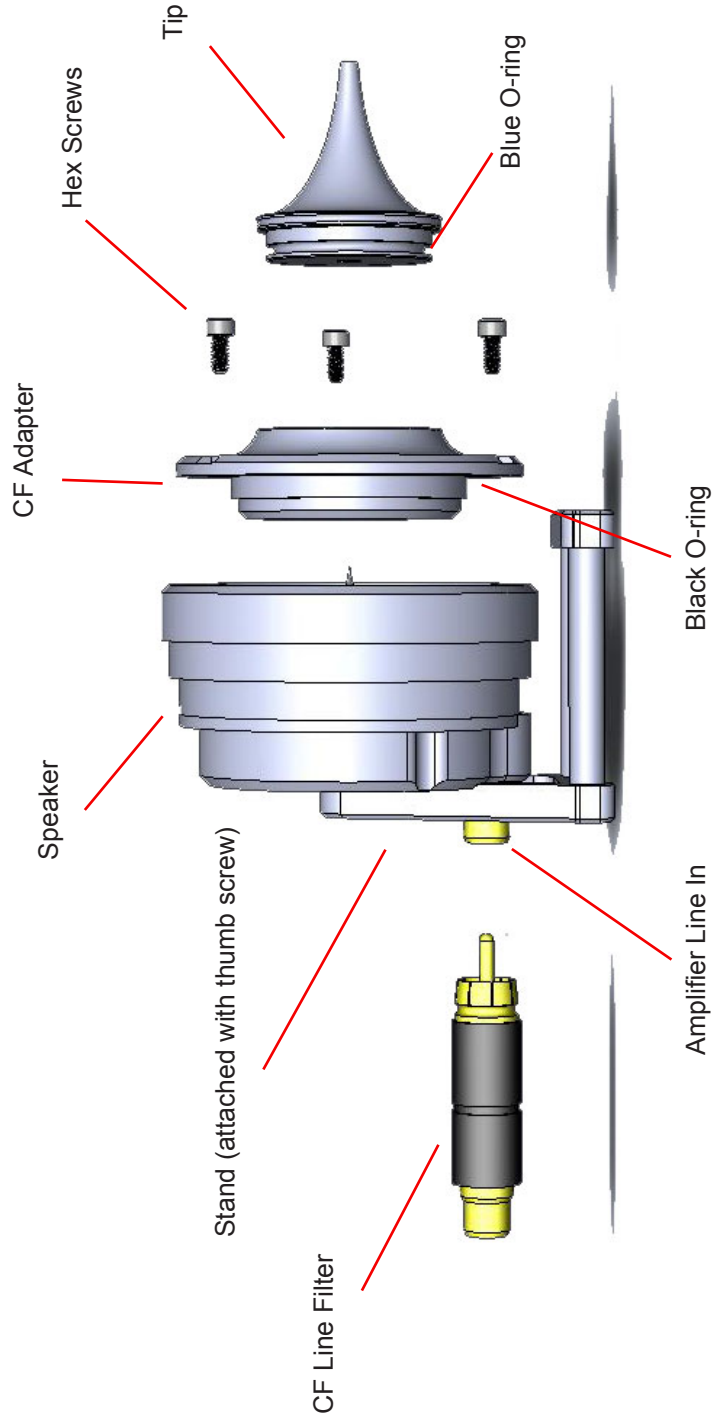
See the System 3 Manual for more information on the MF1 Speaker.

Important: Closed Field Adapter, Tips, and CF Line Filter used only for Closed Field Configuration!



TUCKER-DAVIS TECHNOLOGIES, 11930 RESEARCH CIRCLE, ALACHUA FL 32615
PHONE: 386-462-9622 FAX: 386-462-5365
EMAIL: INFO@TDT.COM WEB: WWW.TDT.COM

MF1 Closed Field Speaker Assembly Diagram



TUCKER-DAVIS TECHNOLOGIES, 11930 RESEARCH CIRCLE, ALACHUA FL 32615
PHONE: 386-462-9622 FAX: 386-462-5365
EMAIL: INFO@TDT.COM WEB: WWW.TDT.COM